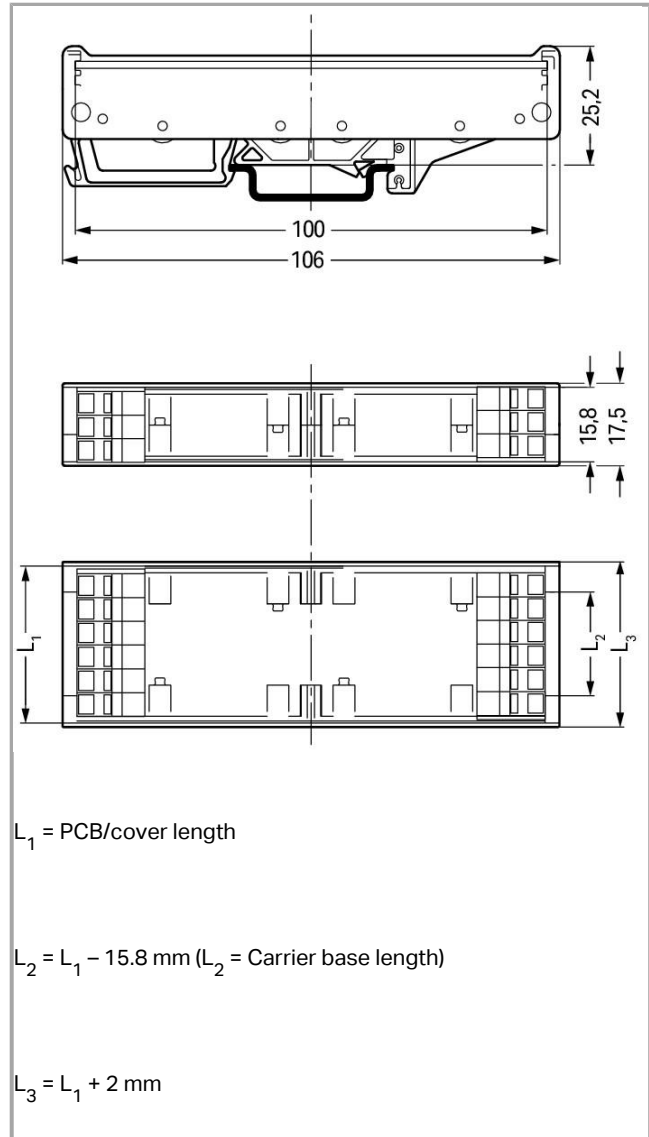


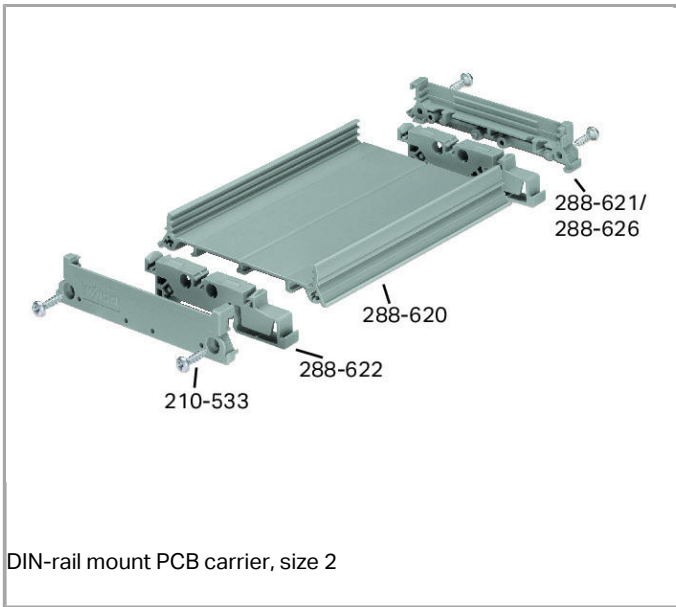
RoHS  
Compliant ✓

BOMcheck.net

Similar to  
picture

Color: ■





DIN-rail mount PCB carrier, size 2

### Item description

DIN-rail mount PCB carrier, size 2 – mounting foot for DIN-35 rail

### Data

#### Mechanical data

Type of mounting	DIN-35 rail
------------------	-------------

#### Material Data

Color	gray
Fire load	0.157 MJ
Weight	5.3 g

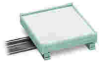
#### Commercial data

Product Group	6 (Interface Electronics)
Country of origin	DE
GTIN	4017332639460
Customs Tariff No.	85472000900

### Compatible products

#### General accessories

	<b>Item no.: 210-533</b> Phillips screw 2.9 x 13	210-533
--	---	---------



Item no.: 288-620  
Track section; Size 2; 1 m long

288-620



Item no.: 288-620/024-000  
Track section; Size 2

288-620

/024-000

## Downloads

### Documentation

#### Additional Information

Disposal; Electrical and electronic equipment, Packaging

V 1.0.0

pdf  
265.8 kB

Download

## CAD/CAE - Smart Data

### CAD data

3D Download 288-622

URL

Download

Subject to changes.